



شرکت کمپرسور بهسان

THP SERIES ***PART LIST***

TWO-STAGE
HIGH PRESSURE
INDUSTRIAL

BEHSAN AIR COMPRESSORS

MODEL: THP-1.0 /30 (H1231C)

در صورتی که به قطعات یدکی احتیاج دارید ، خواهشمندیم به موارد زیر توجه فرمایید .

۱- نام شرکت و تاریخ خرید دستگاه را مشخص نمایید .

۲- تیپ و شماره سری را مشخص نمایید .

۳ - شماره قطعه و اسم آنرا توضیح دهید .

۴- نحوه تحویل آنرا اعلام نمایید .

تهیه و تنظیم : م. ابراهیمی

نگارش: ۲/۲

تاریخ بازبینی : ۹۴/۰۴/۲۲

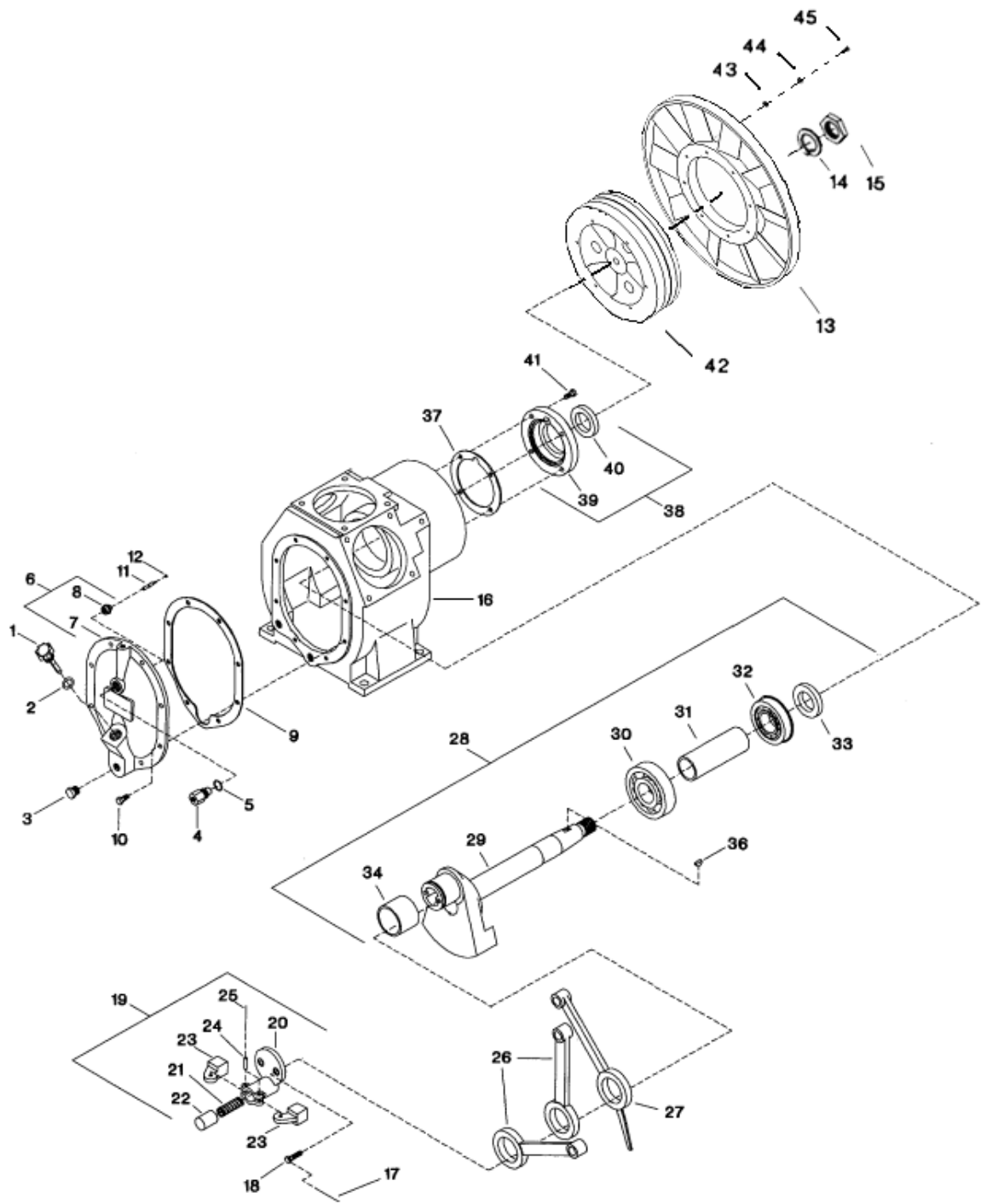


FIGURE 1 COMPRESSOR FRAME ASSEMBLY

REF. NBR.	PART NUMBER	DESCRIPTION	UNITS PER ASSY.	REMARK
1-1	H30801169	PLUG, OIL GAUGE	1	
1-2	35502360	O-RING-OIL GAUGE PLUG 23.6×3.55	1	
1-3	H30801175	PLUG, PIPE-HEX HEAD M20X2	1	
1-4	H30801309	VALVE PILOT	1	
1-5	H30801308	WASHER, COPPER	5	
1-6	H30801165	ASSEMBLY, FRAME END COVER	1	
1-7	H30801166	COVER, FRAME END	1	
1-8	H30801167	BUSHING, PILOT VALVE	1	
1-9	H30801168	GASKET, FRAME END VALVE	1	
1-10	GB5783-86	CAPSCREW-HEX M10X25	8	
1-11	H30801319	PIN, THRUST	1	
1-12	18000300	O-RING 3x1.8	1	
1-13	H30870581	WHEEL, V-BELT	1	
1-14	GB93-1987	LOCKWASHER, SPRING-30	1	
1-15	H30801176	NUT, V-BELT WHEEL	1	
1-16	H30801157	FRAME, COMPRESSOR	1	
1-17	H30801011	LOCKWIRE-Φ1	1	
1-18	GB32.1-88	CAPSCREW-HEX M10X25	2	
1-19	H30801312	ASSEMBLY, CRANKPIN CAP CENTRIFUGAL UNLOADER	1	
1-20	H30801313	BODY, CRANKPIN CAP	1	
1-21	H30801314	SPRING, CENTRIFUGAL UNLOADER	1	
1-22	H30801315	PLUNGER, CENTRIFUGAL UNLOADER	1	
1-23	H30801316	WEIGHT, CENTRIFUGAL UNLOADER	2	
1-24	H30801317	PIN, CENTRIFUGAL UNLOADER WEIGHT	2	
1-25	H30801318	LOCKWIRE	1	
1-26	H33600041	ROD, CONNECTING-FIRST STAGE LOW PRESSURE	2	
1-27	H33600014	ROD, CONNECTING-SECOND STAGE HIGH PRESSURE	1	
1-28	H33699003	ASSEMBLY, CRANKSHAFT-COMPLETE	1	
1-29	H30801160	ASSEMBLY, DISC AND SHAFT	1	
1-30	H30870834	BEARING, BALL	1	
1-31	H30801163	SPACER, MAIN BEARING	1	
1-32	H30870035	BEARING, BALL-WITH SNAP RING	1	
1-33	H30801164	RING, BEARING RETAINER	1	
1-34	H30801159	BUSHING, CRANKPIN	1	
1-36	H30870030	KEY, WOODRUFF 6X25	1	
1-37	H30801174	GASKET-SHAFT END COVER	1	
1-38	H30801171	ASSEMBLY, SHAFT END COVER	1	
1-39	H30801173	COVER, SHAFT END	1	
1-40	H30801172	SEAL, OIL-VITON	1	
1-41	GB5783-86	CAPSCREW-HEX M10X25	4	
1-42	H33600075	WHEEL	1	
1-43	GB95-85	LOCKWASHER, SPRING-8	6	
1-44	GB93-87	WASHER, FLAT-8	6	
1-45	GB5783-86	CAPSCREW-HEX M8*40	6	

REF. NBR.	PART NUMBER	DESCRIPTION	UNITS PER ASSY.	REMARK
2-1	H30801144	GASKET-AIR HEAD TO CYLINDER I	2	
2-2	H33301014	FIRST STAGE VALVE-CONCENTRIC RING COMPLETE	2	
2-3	H30801141	HEAD-BOTTOM HALF I	2	
2-4	H30801114	DOWEL	2	
2-5	GB5783-86	CAPSCREW-HEX M10*105	12	
2-6	H30804000	FILTER	2	
2-8	H30601116	GASKET-AIR HEAD TO CYLINDER II	1	
2-10	H33301009	SECOND STAGE VALVE-CONCENTRIC RING COMPLETE	1	
2-11	H30601113	HEAD -BOTTOM HALF II	1	
2-12	H30801114	DOWEL	1	
2-13	H30601114	GASKET-BETWEEN HALVES	1	
2-14	H30301006W	HEAD-AIR-TOP HALF II	1	
2-15	GB5782-86	CAPSCREW-HEX M10*105	6	
2-16	H30801142	GASKET-BETWEEN HALVES	2	
2-17	H30701201W	HEAD-AIR-TOP HALF I	2	

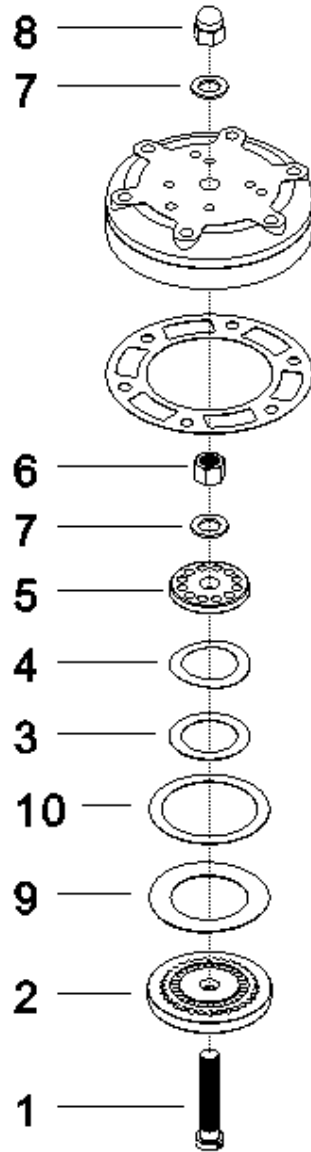


FIGURE 3 3 INCH CONCENTRIC RING VALVE ASSEMBLY

REF. NBR.	PART NUMBER	DESCRIPTION	UNITS PER ASSY.	REMARK
3-1	H33301013	VALVE BOLT	1	
3-2	H30601109A	DISCHARGE VALVE SEAT	1	
3-3	H30601110	DISCHARGE VALVE PLATE	1	
3-4	H30601111	DISCHARGE VALVE SPRING	1	
3-5	H33301022	STOP PLATE	1	
3-6	GB6171-86	NUT M16	1	
3-7	GB955 - 86	BELLEVILLE WASHER 16	2	
3-8	H30801110	ACORN NUT M16x1.5	1	
3-9	H30801137	INLET VALVE SPRING	1	
3-10	H33301012	INLET VALVE PLATE	1	

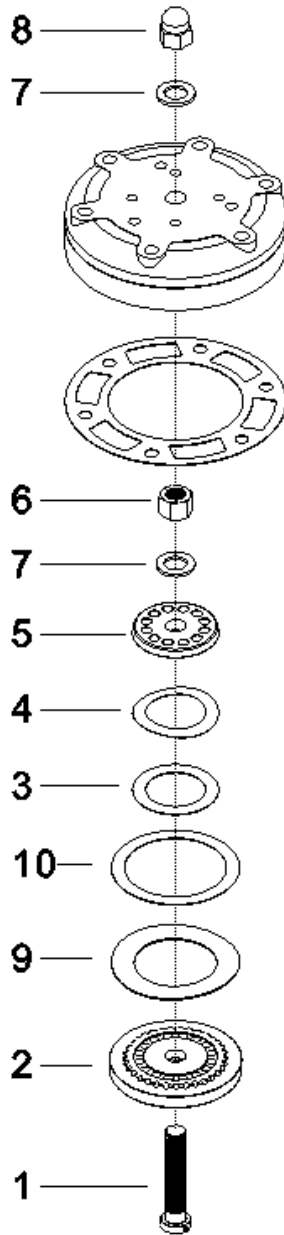


FIGURE 4 5 INCH CONCENTRIC RING VALVE ASSEMBLY

REF. NBR.	PART NUMBER	DESCRIPTION	UNITS PER ASSY.	REMARK
4-1	H33301016	VALVE BOLT	1	
4-2	H33301015	DISCHARGE VALVE SEAT	1	
4-3	H30801136	DISCHARGE VALVE PLATE	1	
4-4	H30801137	DISCHARGE VALVE SPRING	1	
4-5	H30801138	STOP PLATE	1	
4-6	GB6171-86	NUT M20	1	
4-7	GB955 - 86	BELLEVILLE WASHER 20	2	
4-8	H30801140	ACORN NUT M20x1.5	1	
4-9	H30801134	INLET VALVE SPRING	1	
4-10	H30801135	INLET VALVE PLATE	1	

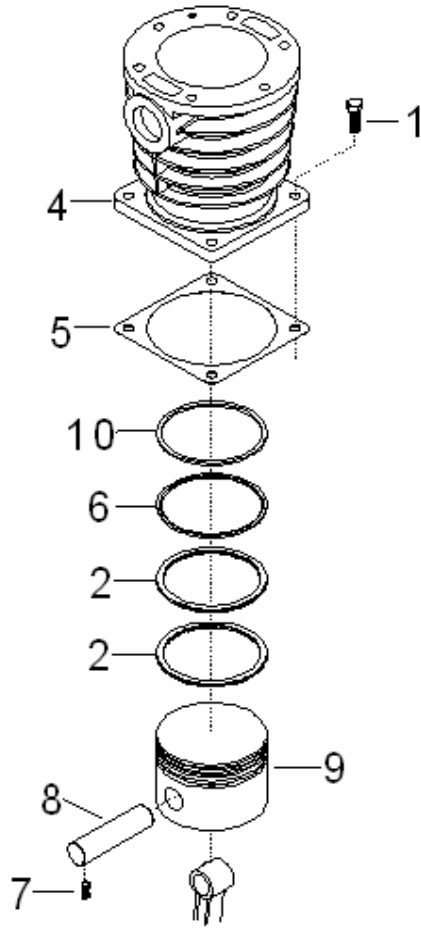


FIGURE 5 SECOND STAGE (HIGH PRESSURE) CYLINDER & PISTON

REF. NBR.	PART NUMBER	DESCRIPTION	UNITS PER ASSY.	REMARK
	H30599005	SECOND STAGE PISTON ASSEMBLY	1	
5-1	GB5783-86	CAPSCREW HEX- M12X35	4	
5-2	H30599003	PISTON RING	2	
5-4	H30301001	CYLINDER , AIR-SECOND STAGE	1	
5-5	H30801156	GASKET, FLANGE	1	
5-6	H30501023	PISTON RING	1	
5-7	GB/77-85	CAPSCREW-HOLLOW HEX HEAD	2	
5-8	H30501020A	PIN, PISTON	1	
5-9	H30501021A	PISTON	1	
5-10	H30501022	PISTON RING	1	

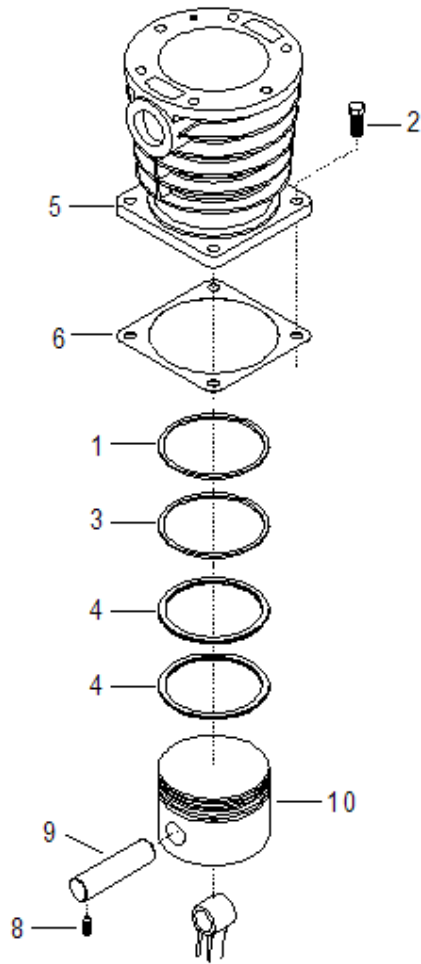


FIGURE 6 FIRST STAGE (LOW PRESSURE) CYLINDER & PISTON

REF. NBR.	PART NUMBER	DESCRIPTION	UNITS PER ASSY.	REMARK
	H30799003	FIRST STAGE PISTON ASSEMBLY	1	
6-1	H30701004A	PISTON RING	2	
6-2	GB5783-86	CAPSCREW HEX- M12X35	4	
6-3	H30701005A	PISTON RING	2	
6-4	H30701006	PISTON RING	1	
6-5	H30701003	CYLINDER , AIR-FIRST STAGE	1	
6-6	H30801156	GASKET, FLANGE	1	
6-8	GB/77-85	CAPSCREW-HOLLOW HEX HEAD	2	
6-9	H33001018A	PIN, PISTON	1	
6-10	H33501102A	PISTON	1	

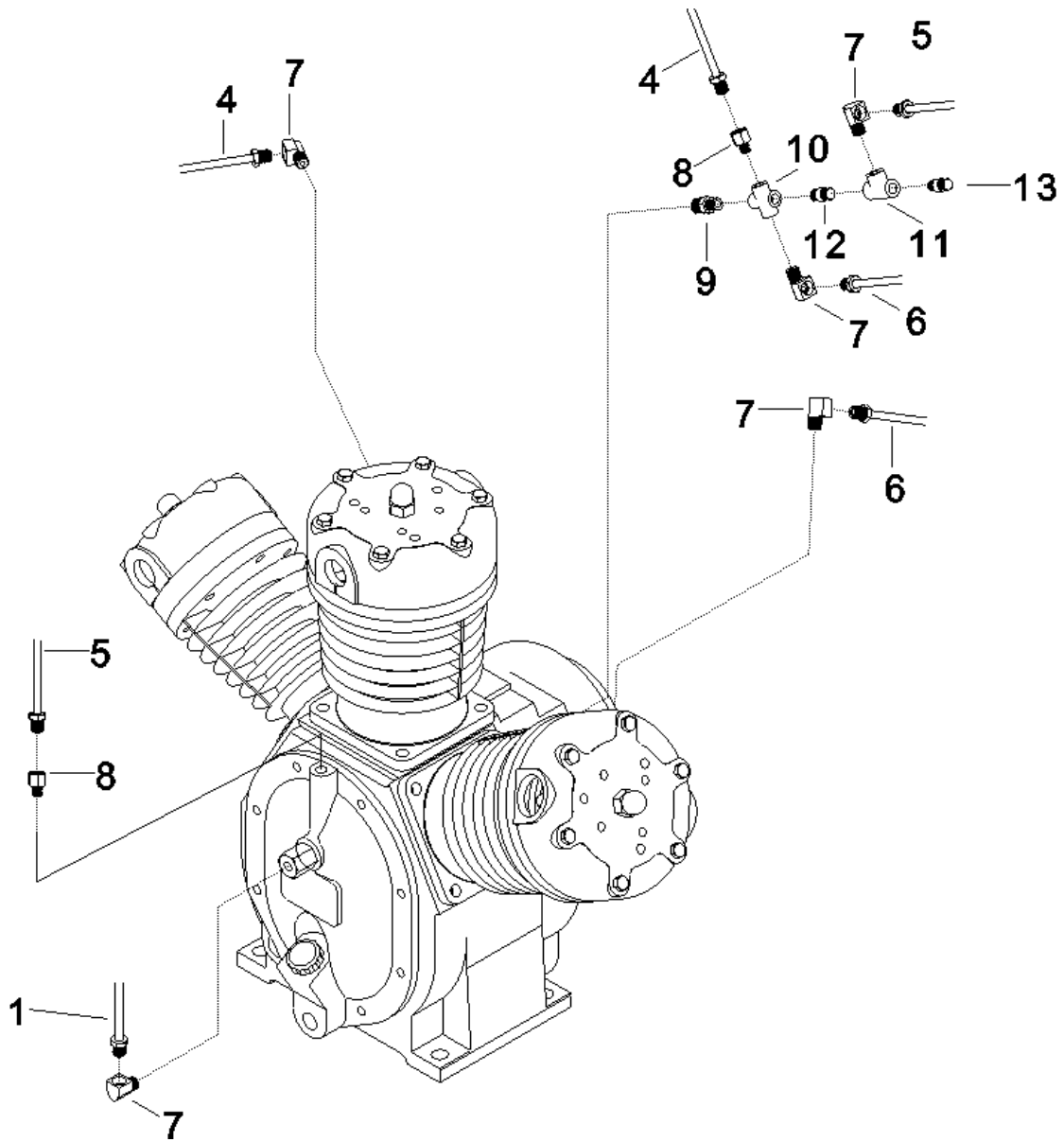


FIGURE 7 TUBE ASSEMBLY

REF. NBR.	PART NUMBER	DESCRIPTION	UNITS PER ASSY.	REMARK
7-1	H30701600	ASSEMBLY, TUBE-PILOT VALVE/INTERCOOLER	1	
7-4	H30701700	ASSEMBLY, TUBE-BREATHER/CENTER AIRHEAD	1	
7-5	H30701500	ASSEMBLY, TUBE-PILOT VALVE EXHAUST/COMPRESSOR FRAME	1	
7-6	H30701800	ASSEMBLY, TUBE-BREATHER/RIGHT-HAND AIRHEAD	1	
7-7	H30801321	ELBOW, TUBE	7	
7-8	H30800002	CONNECTOR, TUBE	2	
7-9	H30701013A	NIPPLE	1	
7-10	H30801902	CROSS, TUBE	1	
7-11	H30801322	TEE, PIPE	1	
7-12	H30101303	NIPPLE	1	
7-13	H30870913	CONNECTOR, TUBE FCR-4C 1/4"	1	

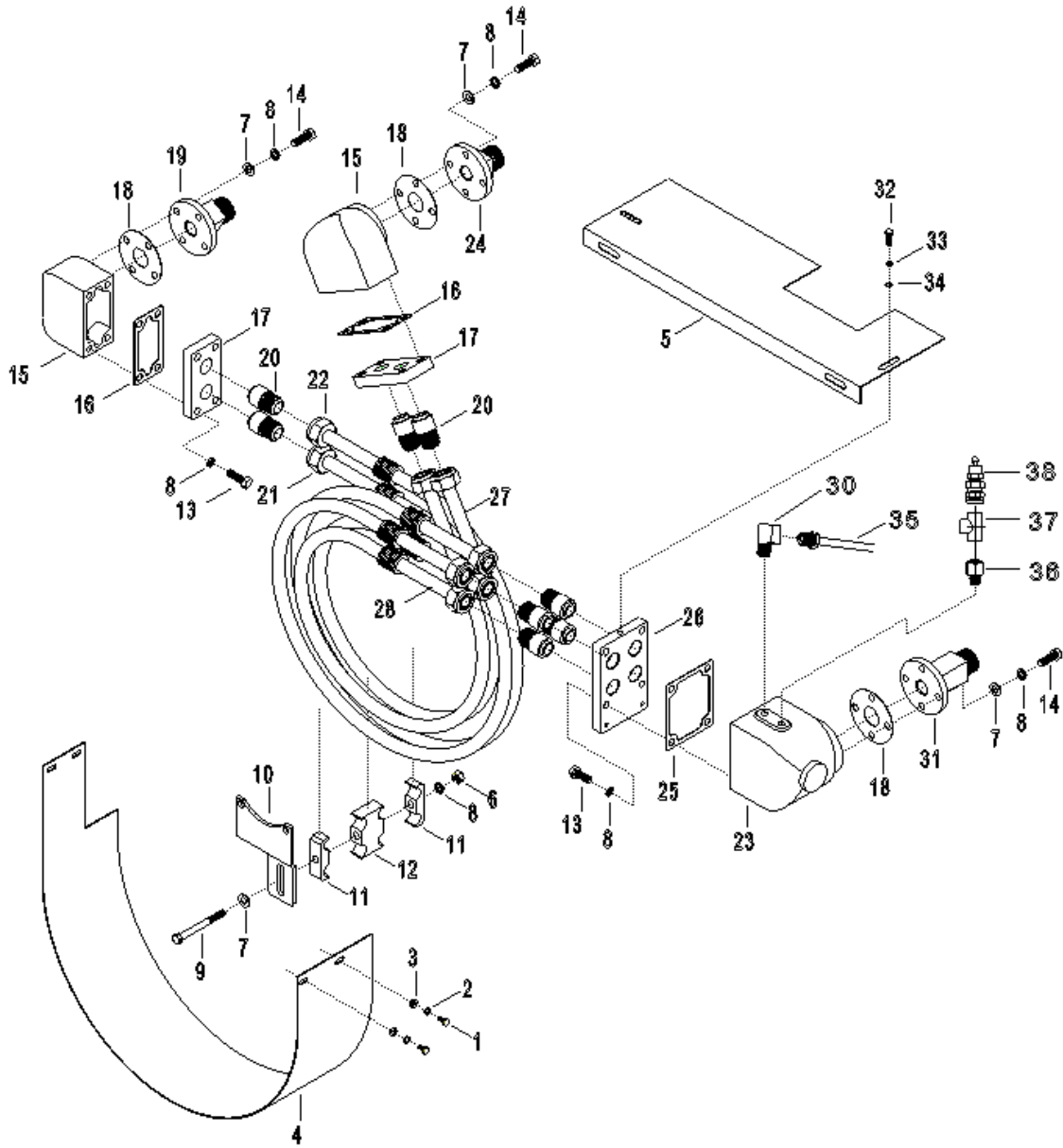


FIGURE 8 INTERCOOLER & SHROUD ASSEMBLY

REF. NBR.	PART NUMBER	DESCRIPTION	UNITS PER ASSY.	REMARK
8-1	GB5783-1985	CAPSCREW-HEX M6×12	4	
8-2	GB93-1987	LOCKWASHER, SPRING-6	4	
8-3	GB97-85	WASHER, FLAT-6	4	
8-4	H30701306	SHROUD, INTERCOOLER	1	
8-5	H33600007	TOP, SHROUD	1	
8-6	GB6173-85	NUT, HEX-M10	1	
8-7	GB97-85	WASHER, FLAT-10	13	
8-8	GB93-87	LOCKWASHER, SPRING-10	25	
8-9	GB5783-85	CAPSCREW-HEX M10×100	1	
8-10	H30701311	BRACKET, INTERCOOLER	1	
8-11	H30701313	CLAMP, INTERCOOLER TUBE-OUTER	2	
8-12	H30701312	CLAMP, INTERCOOLER TUBE-CENTER	1	
8-13	GB5783-86	CAPSCREW-HEX M10×35	12	
8-14	GB5783-86	CAPSCREW-HEX M10×25	12	
8-15	H30701301	MANIFOLD, INTERCOOLER- LOW PRESSURE	2	
8-16	H30701302	GASKET, FLANGE-LOW PRESSURE	2	
8-17	H30701315	FLANGE, INTERCOOLER-LOW PRESSURE	2	
8-18	H30701310	GASKET, FLANGE	3	
8-19	H30701309	FLANGE-#1	1	
8-20	H30701319	CONNECTOR, MALE	8	
8-21	H30701317	ASSEMBLY, INTERCOOLER TUBE-FINNE-#1	1	
8-22	H30701318	ASSEMBLY, INTERCOOLER TUBE-FINNE-#2	1	
8-23	H30701304	MANIFOLD, INTERCOOLER- HIGH PRESSURE	1	
8-24	H30701308	FLANGE-#2	1	
8-25	H30701305	GASKET, FLANGE-HIGH PRESSURE	1	
8-26	H30701322	FLANGE, INTERCOOLER-HIGH PRESSURE	1	
8-27	H30701321	ASSEMBLY, INTERCOOLER TUBE-FINNE-#4	1	
8-28	H30701320	ASSEMBLY, INTERCOOLER TUBE-FINNE-#3	1	
8-30	H30801321	ELBOW, TUBE	1	
8-31	H30701307	FLANGE-#3	1	
8-32	GB5783-86	CAPSCREW-HEX M8×15	2	
8-33	GB93-87	LOCKWASHER, SPRING-8	2	
8-34	GB97-85	WASHER, FLAT-8	2	
8-35	H30701600	ASSEMBLY, TUBE-PILOT VALVE/INTERCOOLER	1	
8-36	H33401210	NIPPLE	1	
8-37	H30801322	TEE, TUBE	1	
8-38	H30870066	VALVE, RELIEF-115PSIG	1	

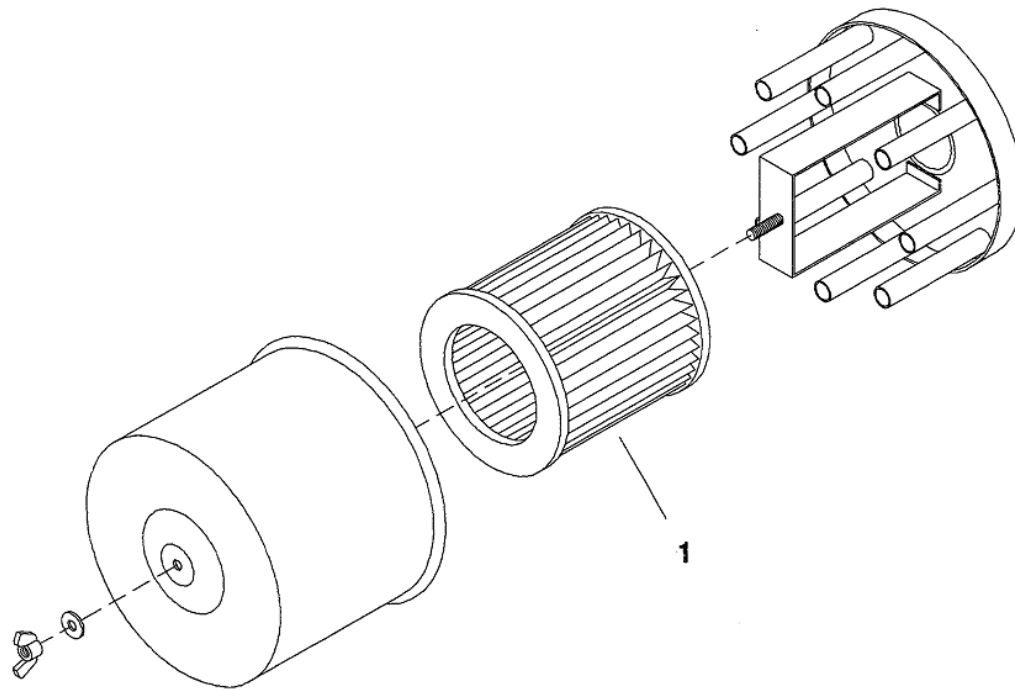


FIGURE 9 INLET FILTER ASSEMBLY

REF. NBR.	PART NUMBER	DESCRIPTION	UNITS PER ASSY.	REMARK
	H30804000	FILTER COMPLETE-INLET	2	
9-1	H30804001	ELEMENT, FILTER	2	

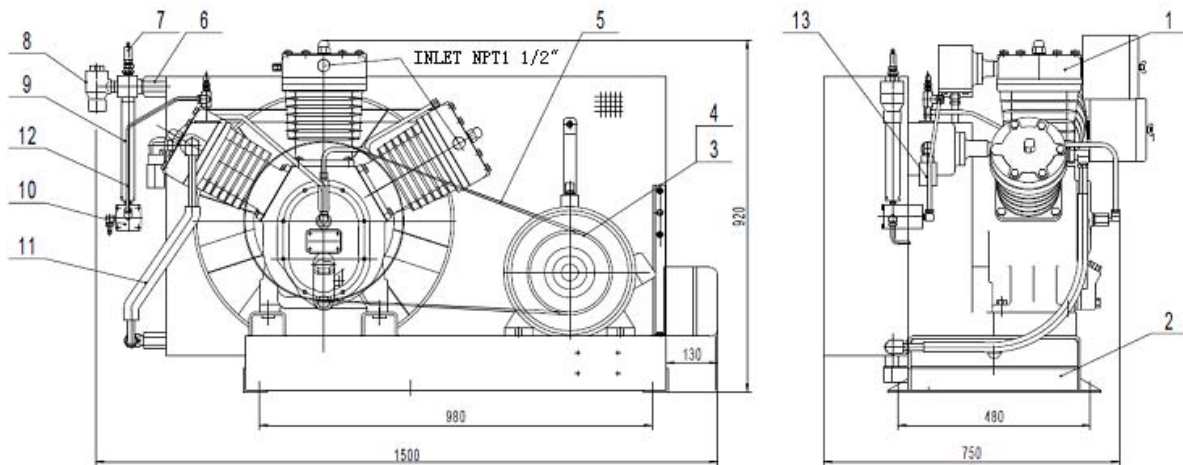


FIGURE 10 SIMPLEX PACKAGE & OPTIONS

REF. NBR.	PART NUMBER	DESCRIPTION	UNITS PER ASSY.	REMARK
10-1	H33601000	MODEL H1231C BARE COMPRESSOR	1	
10-2	H33600078	SUB-BASE	1	
10-3		MOTOR, ELECTRIC	1	OPTION
10-4		PULLEY,MOTOR	1	OPTION
10-5		BELT "V"	2	OPTION
10-6	H33303006	AFTERCOOLER	1	
10-7	H30870190	SAFETY VALVE 5.0MPa(NPT1/2")	1	
10-8	H30880641	CHECK VALVE NPT3/4"	1	
10-9	H33401602	TUBE-STELL,DRAIN	1	
10-10	H33401216	AUTOMATIC CONDENSATE DRAIN VALVE	1	
10-11	H33600079	ASSEMBLY,AFTERCOLLER TUBE-FINNED	1	
10-12	H33601301	CONTROL PIPE ϕ 8	1	
10-13	H33600065	AUTOMATIC PILOT VALVE G3/4"	1	

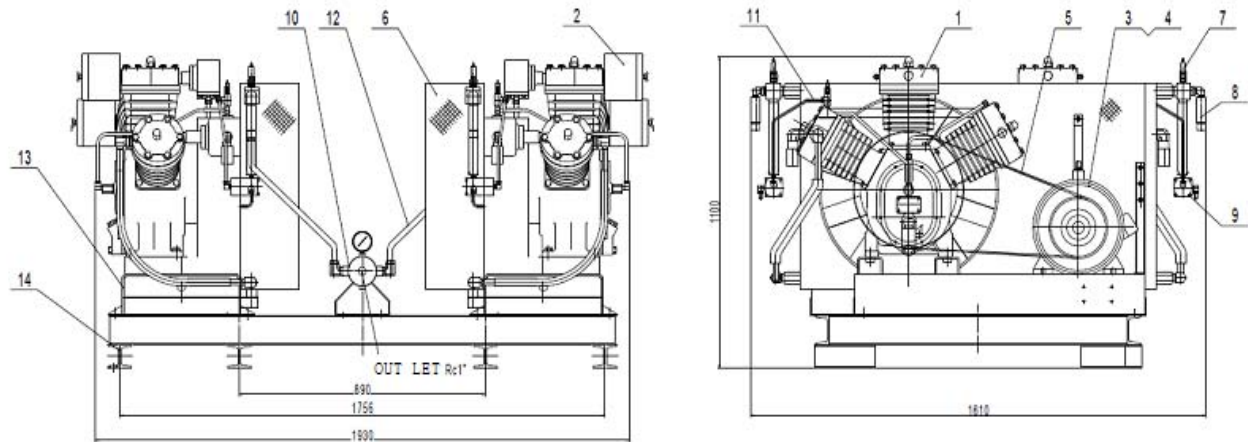


FIGURE 11 DUPLEX PACKAGE & OPTIONS

REF. NBR.	PART NUMBER	DESCRIPTION	UNITS PER ASSY.	REMARK
11-1	H33601000	MODEL H1231C BARE COMPRESSOR	2	
11-2	H30804000	FILTER COMPLETE-INLET	4	
11-3		MOTOR, ELECTRIC	2	OPTION
11-4		PULLEY,MOTOR	2	OPTION
11-5		BELT "V"	4	OPTION
11-6	H33600074	BELTGUARD	2	
11-7	H30870190	SAFETY VALVE 5.0MPa(NPT1/2")	2	
11-8	H30880641	CHECK VALVE NPT3/4"	2	
11-9	H33401216	AUTOMATIC CONDENSATE DRAIN VALVE	2	
11-10	H33303011	BUFFER BANK	1	
11-11	H33601301	CONTROL PIPE ϕ 8	2	
11-12	H33601302	DISCHARGE PIPE ϕ 19	2	
11-13	H33600078	SUB-BASE	2	
11-14	H33600071	PEDESTAL	1	

آدرس کارخانه:

جاده قدیم کرج - کیلومتر ۱۷ - کمربندی شهریار اندیشه - شهرک صنعتی زاگرس -
خیابان صنعت - پلاک ۵

گروه فنی بهسان (کمپرسور بهسان)

تلفن و فاکس : ۰۲۱-۴۶۸۵۳۱۱۱-۳

کد پستی : ۳۷۵۴۱۸۷۵۵۵

پست الکترونیک : Ebrahimi@behsanair.co

وب سایت : www.behsanair.com

آدرس فروشگاه:

تهران - خیابان سعدی جنوبی - جنب بانک ملی - نیش ساختمان تقی نیا - پلاک ۲۵۰

تلفن : ۰۲۱-۳۳۹۶۱۱۱۶-۱۸

فاکس : ۰۲۱-۳۳۹۶۱۱۲۰